

Cable Retractors for Medical Applications

Spring reels with retractable jacketed stainless steel cables are widely used in wiring harness and pneumatic/hydraulic hose management in medical electronic equipment. Cabinet doors of medical instrumentation are notorious for chafing, nicking and severing wiring and reinforced hoses of every type, requiring a flexible, yet constant tensioning of delicate, critical cables. Also, the management of cables on the exterior of instrument carts that have to balance adequate usable length without creating a tripping hazard.

John Evans' Sons, Inc. offers a variety of standard products and additional optional features to accommodate the requirements of many different customers and products. Our compact units are often the best or the only solution when space is limited.

Our standard products and lists of options are below and continued on the reverse side. Please contact us for discussion of your requirements.



ER Series (*Enclosed Reel*)

Standard Specifications:

- ER04 13 oz. nominal retracting load @ nominal maximum deflection (60").
- ER06 17 oz. nominal retracting load @ nominal maximum deflection (50").
- ER08 12 oz. nominal retracting load @ nominal maximum deflection (40").
- Color - natural nylon (translucent white).
- Cable is .018" stainless steel, nylon coated to .024", minimum breaking strength - 40 lbs.
- Cable end terminal is eyelet for #8 screw (.175").
- Includes our company label on side.

RETRIEVER

Standard specifications:

- 3 oz. nominal retracting load @ nominal maximum deflection (48").
- Color - black.
- Cable is .018" stainless steel, nylon coated to .024", minimum breaking strength - 40 lbs.
- Cable end terminal is eyelet for #8 screw (.175").
- Our name is embossed in case.

MER Series (*Miniature Enclosed Reel*)

Standard specifications:

- 3 - 4 oz. nominal retracting load @ nominal maximum deflection (26").
- Color - black.
- Cable is .014" stainless steel, nylon coated to .019", minimum breaking strength - 26 lbs.
- Cable end terminal is eyelet for #8 screw (.175").
- Includes our company label on side.



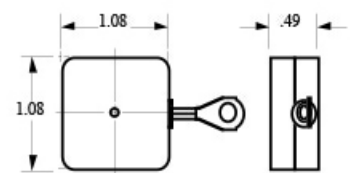
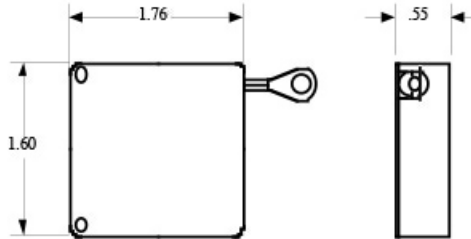
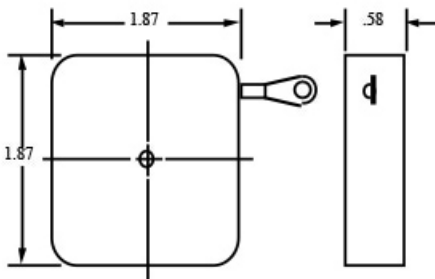
ENCLOSED REEL (ER)



RETRIEVER



MINIATURE ENCLOSED REEL (MER)



Options List I: (readily available depending on quantity)

Cable End Attachment Methods:

- Formed loop.
- Plastic attachment plate (with white adhesive tape or no tape).
- Stainless steel attachment plate with adhesive tape (3/4" sq. or 3/4" x 1-3/4").
- Two plastic attachment plates - one attached and one sliding.
- Pigtail using any end terminal configuration.

ER Reel Attachment Methods:

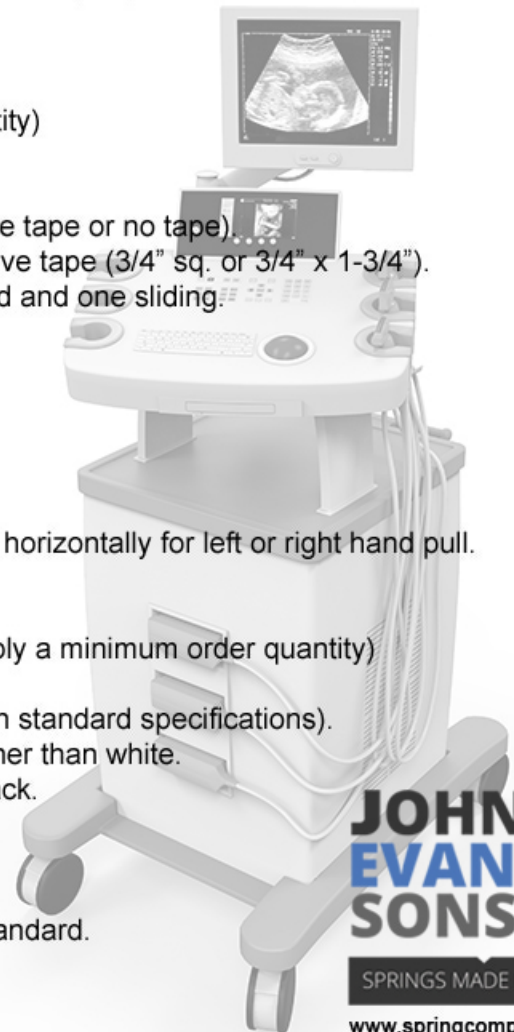
- Adhesive pad. Color - white.
- Hook & loop fastener pad. Color - black.
- Plastic backing plate - mounted vertically or horizontally for left or right hand pull.
(ER series only)

Options List II: (requires longer lead time and possibly a minimum order quantity)

- Color of reel/retriever.
- Length of cable (limited to maximum deflection in standard specifications).
- Adhesive pad - unusual dimensions or colors other than white.
- Hook & loop fastener pad. Colors other than black.

Customized Products:

- Load characteristics (pulling force) other than standard.
- Cable other than standard.
- End attachments other than listed above.



JOHN EVANS' SONS Est. 1850

SPRINGS MADE BETTER

www.springcompany.com
 sales@springcompany.com
 ph: 215-368-7700 • fx: 215-368-9019