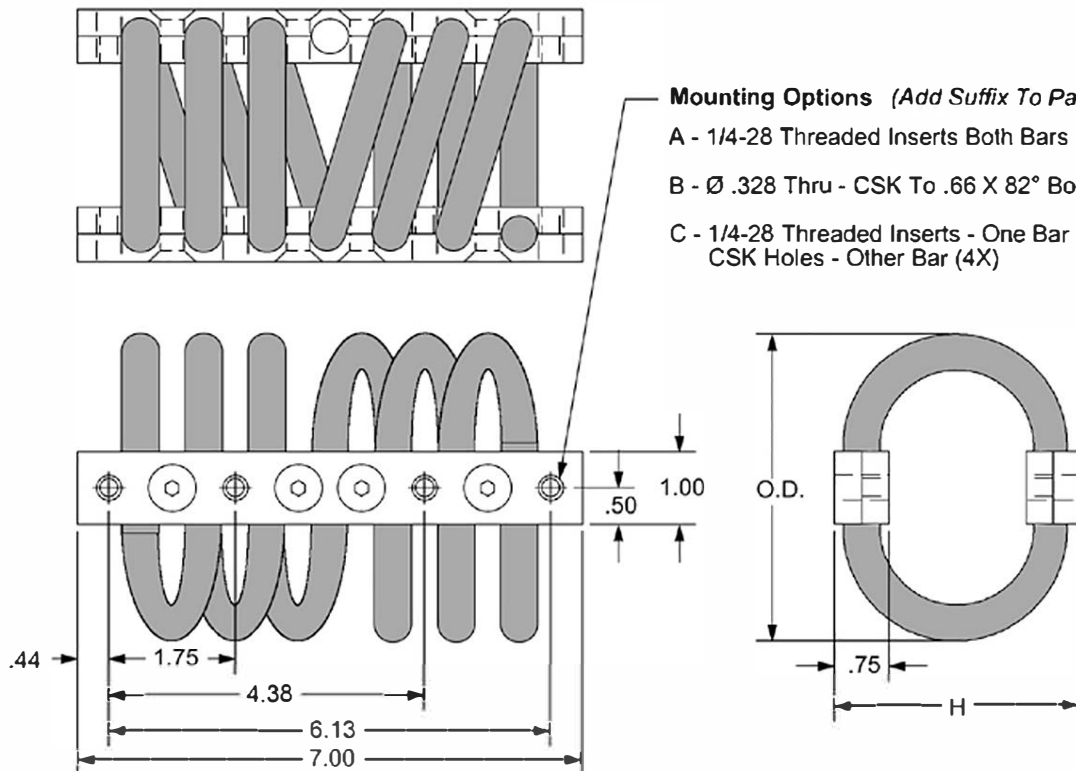


## HELICAL ISOLATORS - HM06500 SERIES

### 1/2" DIA CABLE

EVANS Part Number	Dimensions(in.)		Compression		Shear & Roll		45° Compression/Roll	
	H	O.D.	Avg. Rate(lb/in)	Max Deflection(in)	Avg. Rate(lb/in)	Max Deflection(in)	Avg. Rate(lb/in)	Max Deflection(in)
HM06500-1	3.25	4.00	1301	1.5	598	1.2	578	2.5
HM06500-2	3.50	4.13	1122	1.6	506	1.3	486	2.7
HM06500-3	3.75	4.75	869	1.7	380	1.5	307	3.2
HM06500-4	4.25	5.25	568	2.3	292	1.8	222	3.5
HM06500-5	4.90	5.65	383	2.8	182	2.3	135	4.0
HM06500-6	5.40	6.13	255	3.5	157	2.6	101	4.5
HM06500-7	6.10	7.10	167	4.1	99	3.0	62	5.2



**REVISION 2  
REDRAWN NOVEMBER 18, 1997**

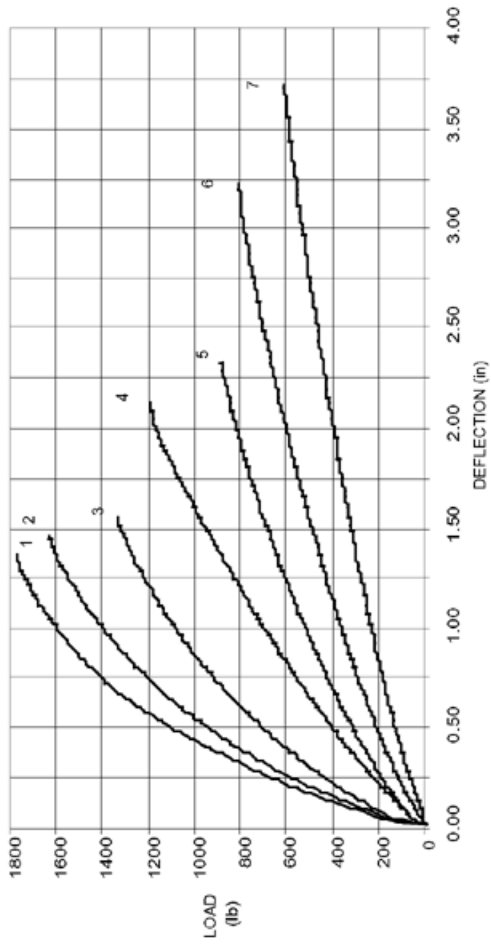
#### SPECIFICATIONS

CABLE: Stainless Steel per Fed Spec RR-W-410 D-1  
 RETAINING BARS: Aluminum Alloy - 6061-T6 - Iridited per MIL-C-5541  
 RETAINING SCREWS: Alloy Steel - Cadmium Plated per QQ-P-416 or Stainless Steel

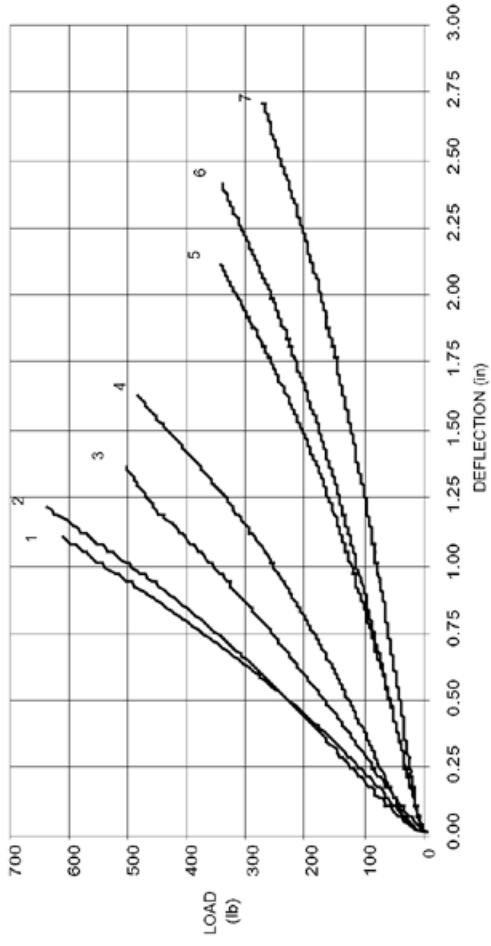
*See other side for force-deflection curves.*

# HM06500 SERIES

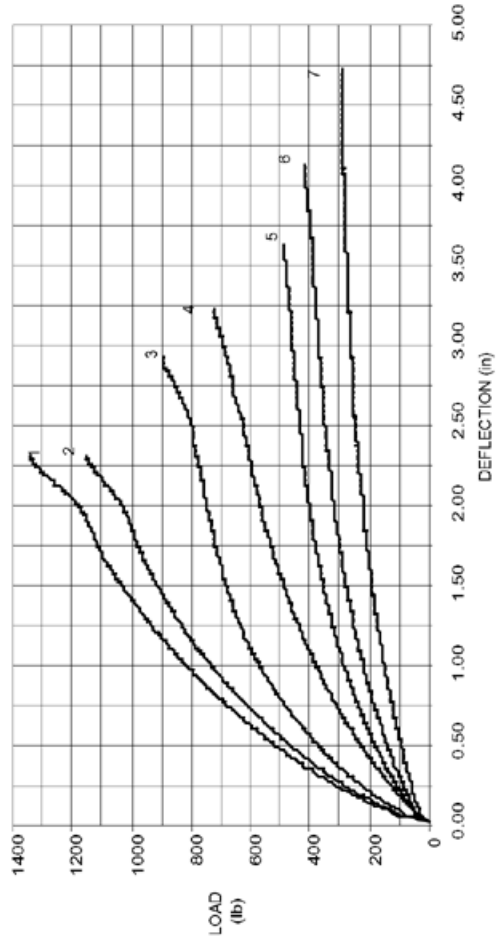
**COMPRESSION**



**SHEAR**



**45° COMPRESSION/ROLL**



**ROLL**

