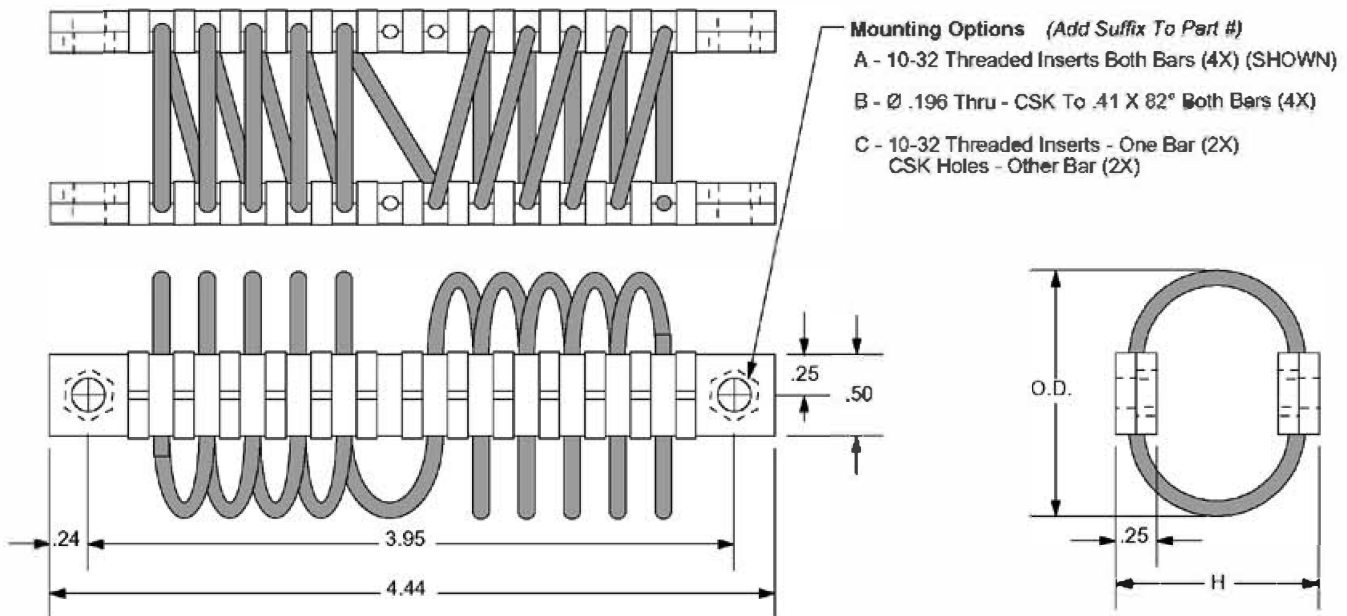


## HELICAL ISOLATORS - HM10093 SERIES

### 3/32" DIA CABLE

EVANS Part Number	Dimensions(in.)		Compression		Shear & Roll		45° Compression/Roll	
	H	O.D.	Avg. Rate(lb/in)	Max Deflection(in)	Avg. Rate(lb/in)	Max Deflection(in)	Avg. Rate(lb/in)	Max Deflection(in)
HM10093-1	0.9	1.1	377	0.2	177	0.3	82	0.5
HM10093-2	1.0	1.2	233	0.3	136	0.4	75	0.6
HM10093-3	1.1	1.3	146	0.4	84	0.5	49	0.7
HM10093-4	1.3	1.5	85	0.5	51	0.6	24	1.1
HM10093-5	1.4	1.6	61	0.6	38	0.7	17	1.2
HM10093-6	1.5	1.7	48	0.7	32	0.8	14	1.3



**REVISION 3  
REDRAWN NOVEMBER 18, 1997**

#### SPECIFICATIONS

CABLE:

RETAINING BARS:

RETAINING CLIPS:

Stainless Steel per MIL-W-83420

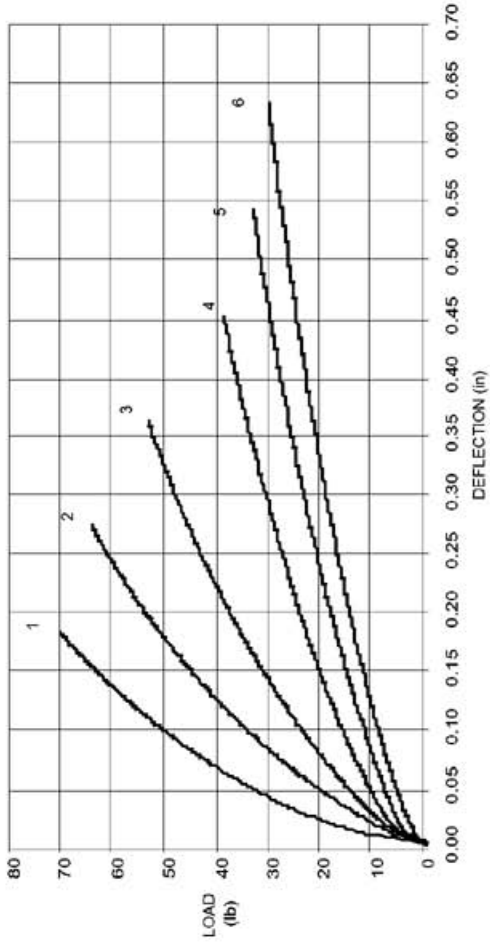
Aluminum Alloy - 6061-T6 - Iridited per MIL-C-5541

Stainless Steel

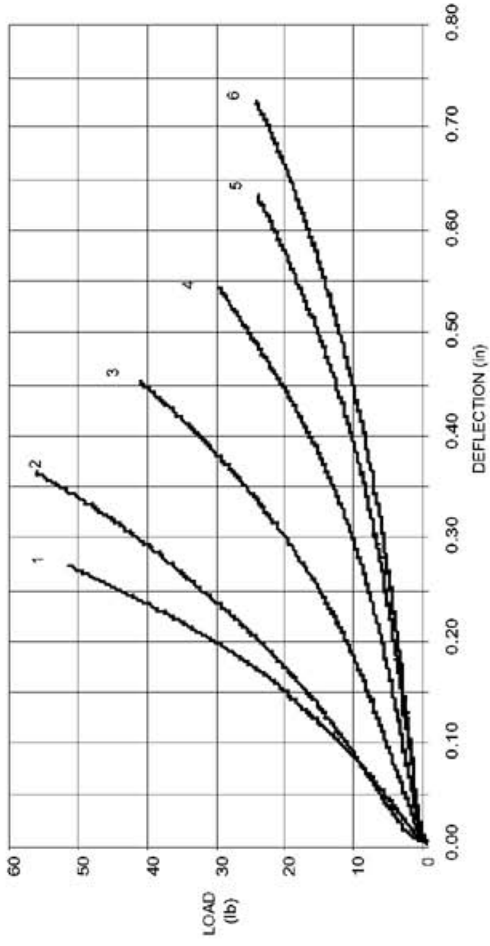
*See other side for force-deflection curves.*

# HM10093 SERIES

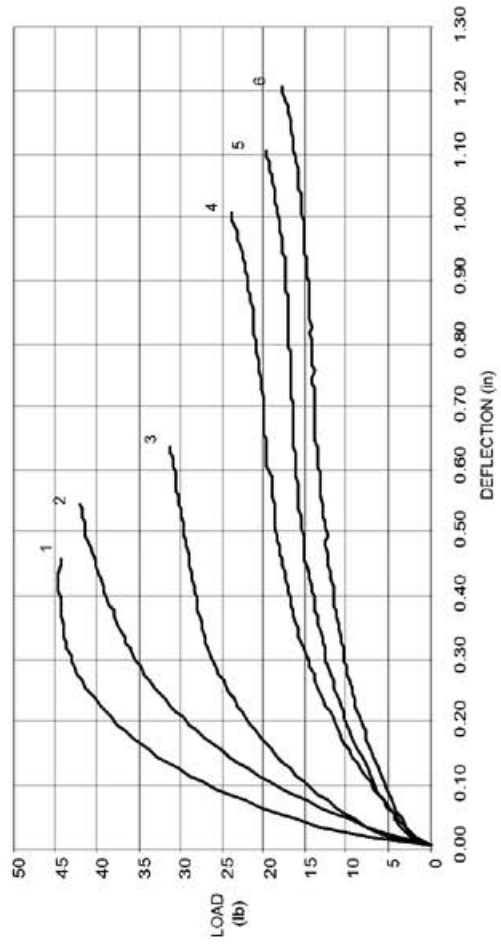
### COMPRESSION



### SHEAR



### 45° COMPRESSION/ROLL



### ROLL

