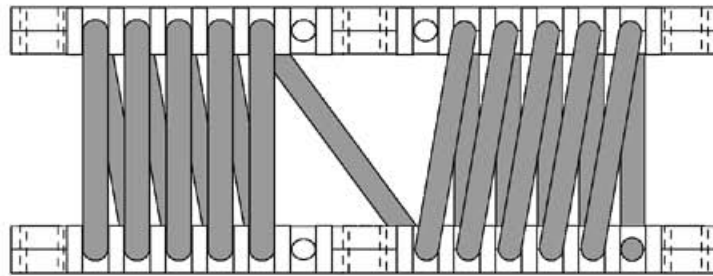


## HELICAL ISOLATORS - HM10187 (7-12) SERIES

### 3/16" DIA CABLE

| EVANS<br>Part Number | Dimensions(in.) |      | Compression         |                       | Shear & Roll        |                       | 45° Compression/Roll |                       |
|----------------------|-----------------|------|---------------------|-----------------------|---------------------|-----------------------|----------------------|-----------------------|
|                      | H               | O.D. | Avg.<br>Rate(lb/in) | Max<br>Deflection(in) | Avg.<br>Rate(lb/in) | Max<br>Deflection(in) | Avg.<br>Rate(lb/in)  | Max<br>Deflection(in) |
| HM10187-7            | 2.00            | 2.28 | 279                 | 1.0                   | 159                 | 0.8                   | 94                   | 1.9                   |
| HM10187-8            | 2.06            | 2.50 | 227                 | 1.05                  | 131                 | 1.1                   | 72                   | 2.2                   |
| HM10187-9            | 2.13            | 2.94 | 155                 | 1.1                   | 95                  | 1.3                   | 57                   | 2.5                   |
| HM10187-10           | 2.19            | 3.19 | 129                 | 1.2                   | 77                  | 1.8                   | 54                   | 2.65                  |
| HM10187-11           | 2.45            | 3.45 | 82                  | 1.4                   | 58                  | 1.9                   | 36                   | 2.75                  |
| HM10187-12           | 3.20            | 4.20 | 39                  | 2.0                   | 31                  | 2.1                   | 18                   | 3.2                   |

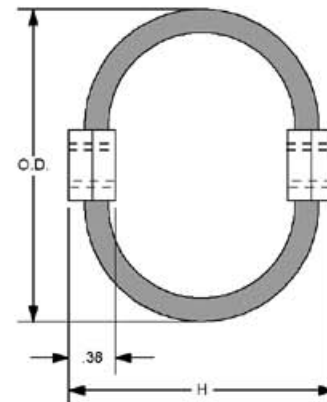
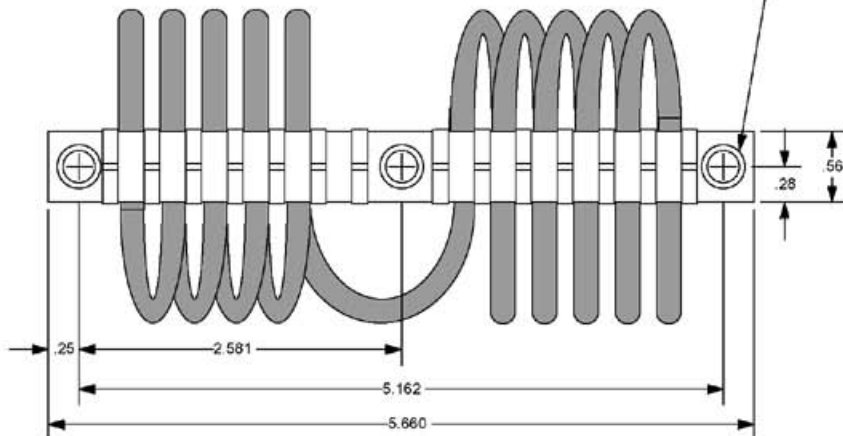


**Mounting Options (Add Suffix To Part #)**

A - 1/4-28 Threaded Inserts Both Bars (6X) (SHOWN)

B - Ø .28 Thru - CSK To .53 X 82° Both Bars (6X)

C - 1/4-28 Threaded Inserts - One Bar (3X)  
CSK Holes - Other Bar (3X)



**REVISION 3  
REDRAWN NOVEMBER 18, 1997**

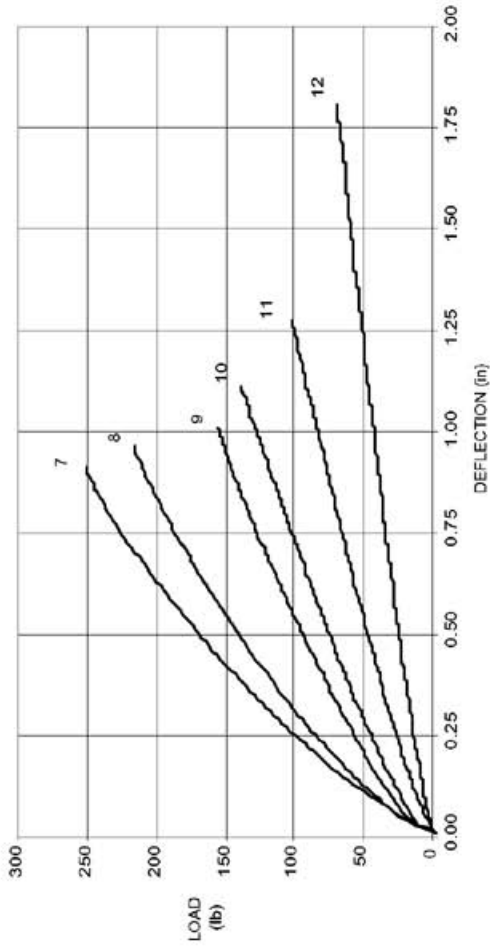
**SPECIFICATIONS**

CABLE: Stainless Steel per MIL-W-83420  
RETAINING BARS: Aluminum Alloy - 6061-T6 - Iridited per MIL-C-5541  
RETAINING CLIPS: Stainless Steel

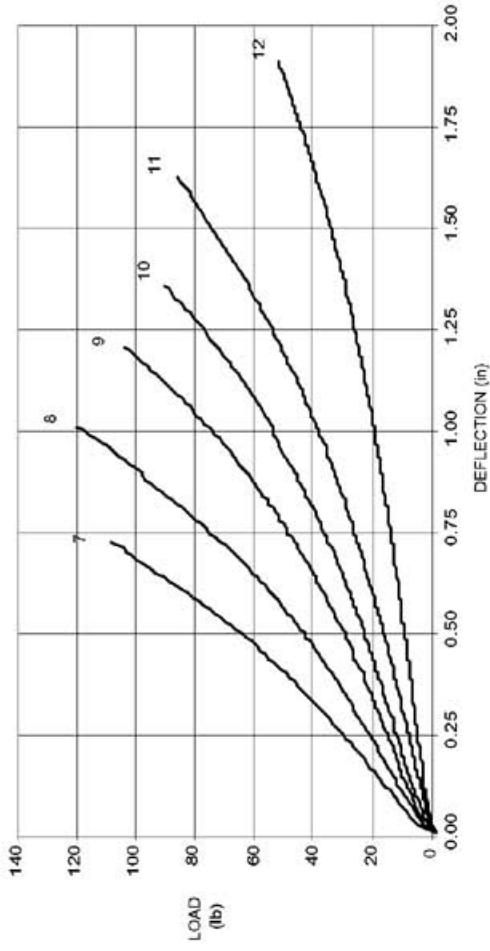
*See other side for force-deflection curves.*

# HM10187 (7-12) SERIES

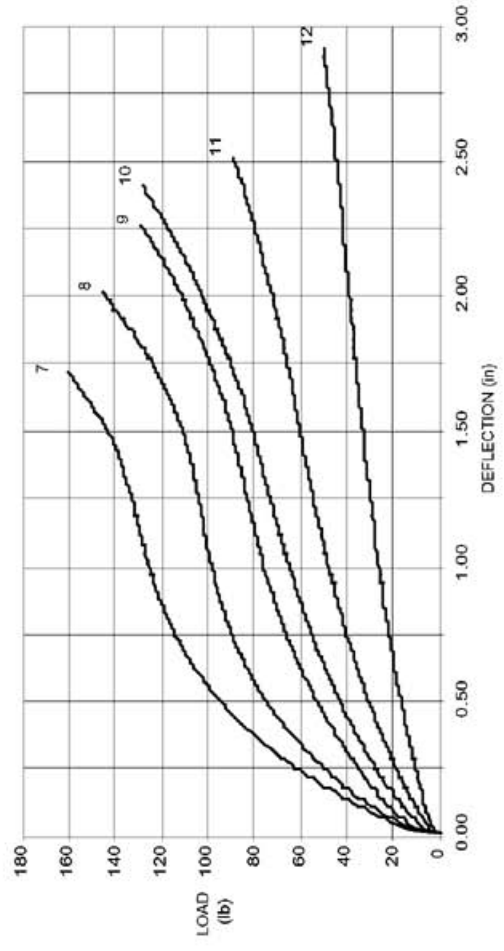
## COMPRESSION



## SHEAR



## 45° COMPRESSION/ROLL



## ROLL

